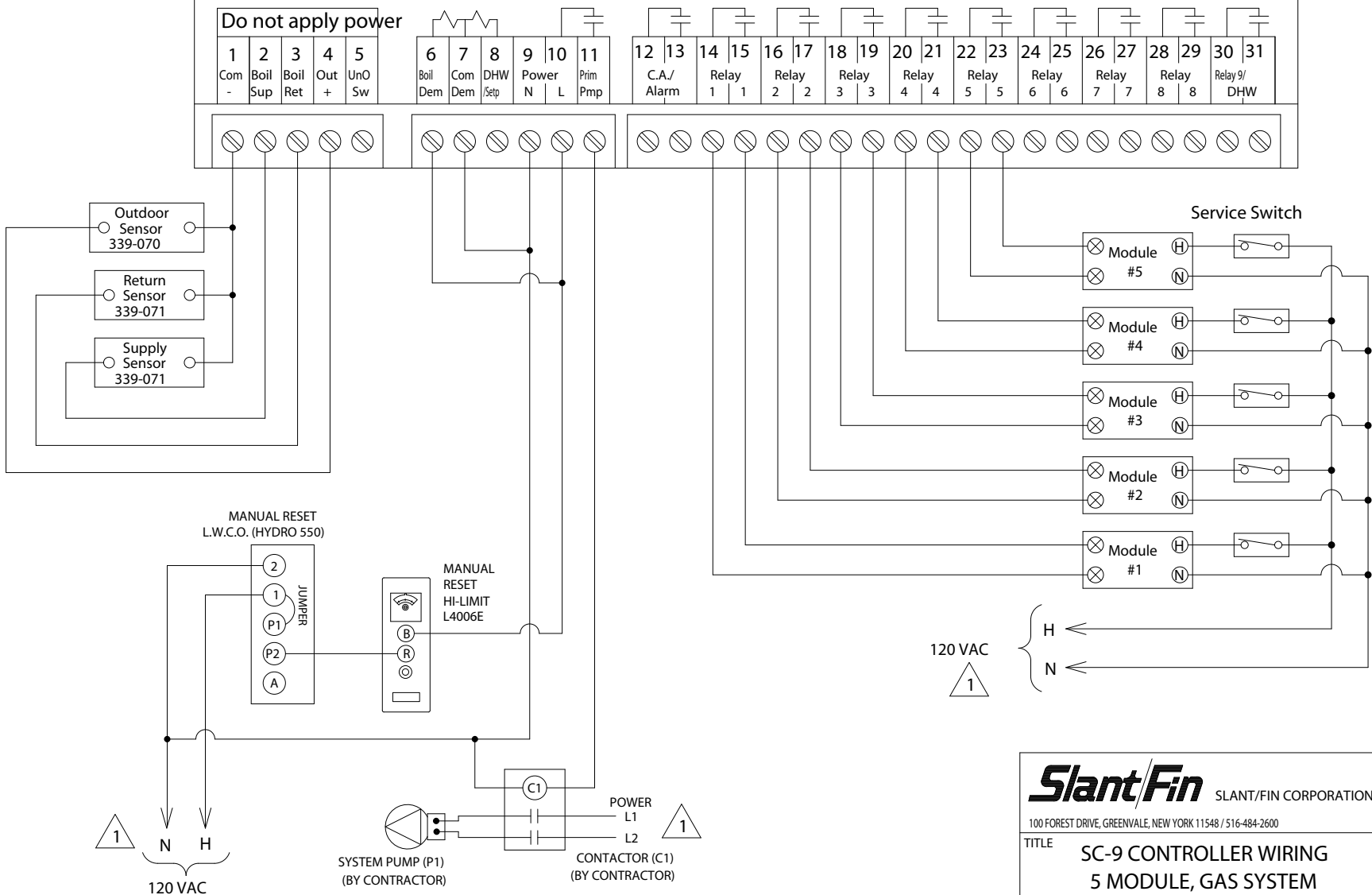


# Slant/Fin SC-9 Caravan Modular Boiler Control



**NOTES:**

1 - Provide Disconnect Means and Overload Protection as Required by Local Code.

**Slant/Fin** SLANT/FIN CORPORATION  
 100 FOREST DRIVE, GREENVALE, NEW YORK 11548 / 516-484-2600

TITLE  
**SC-9 CONTROLLER WIRING  
 5 MODULE, GAS SYSTEM**

DATE 4-20-05	DRAWN BY AC	DRAWING NUMBER SC9-5H-1
DATE	APPROVED	